

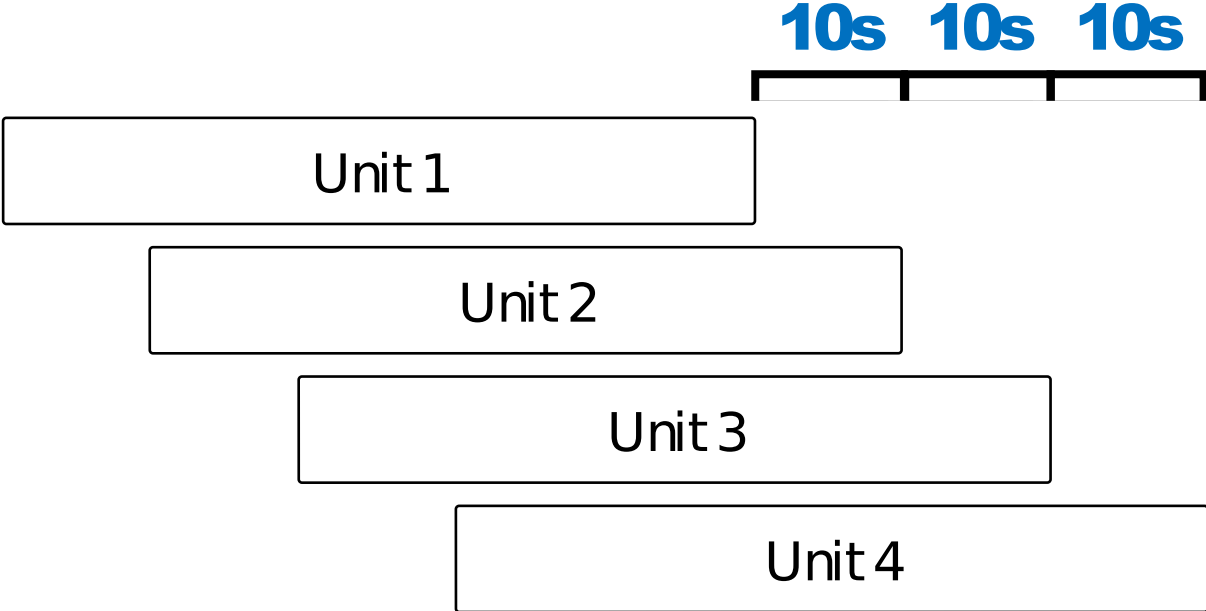
**How to publish your
docs every 10 seconds
like Amazon**



*“Amazon deploys new features every
11.7 seconds”*

*“Ford built a Model T every
24 seconds”*

Cadence

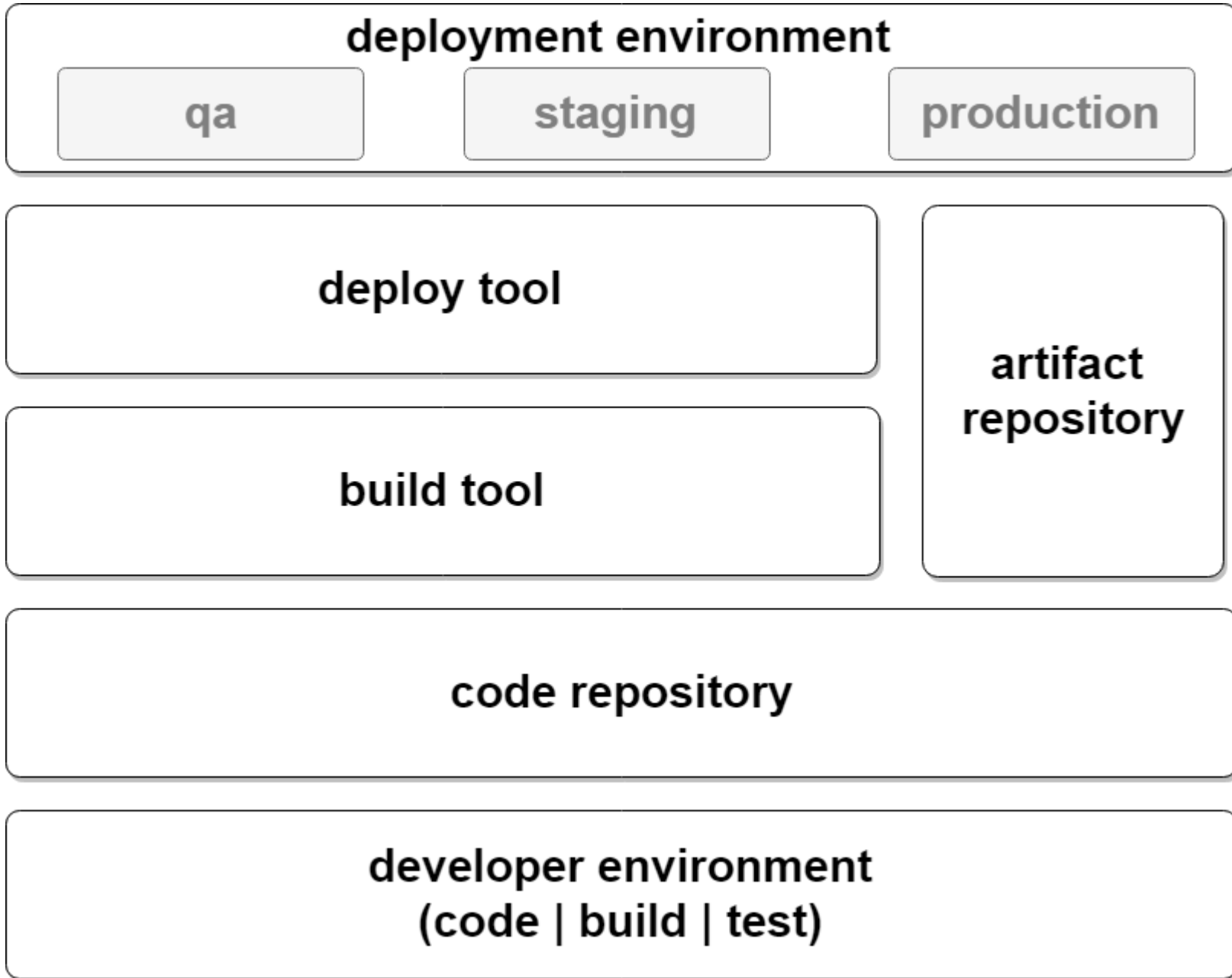


Cycle time



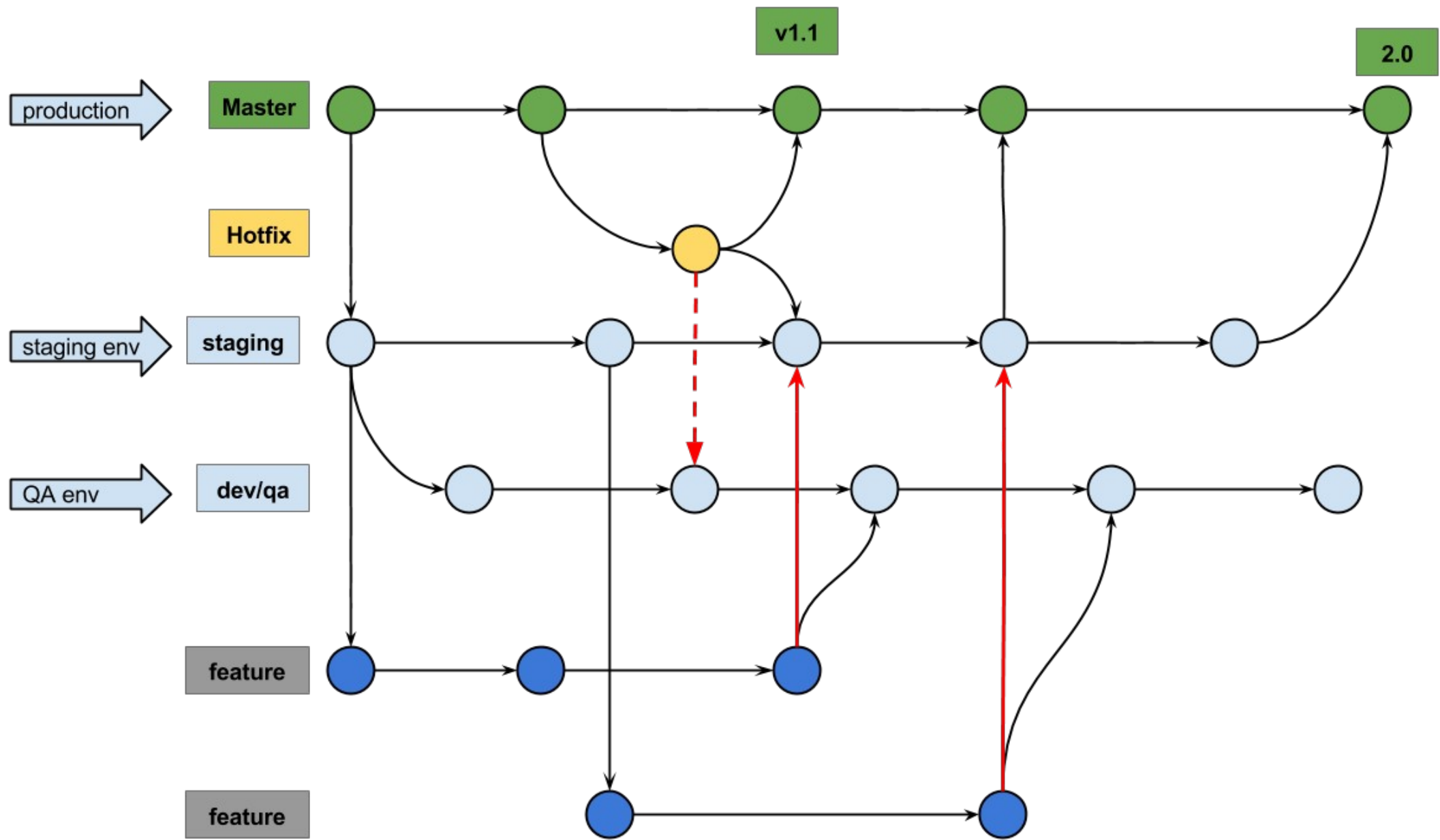
CD

**practice of frequent deployment
(through automation)**



CI

practice of merging (integrating**)
work
several times a day**



CD

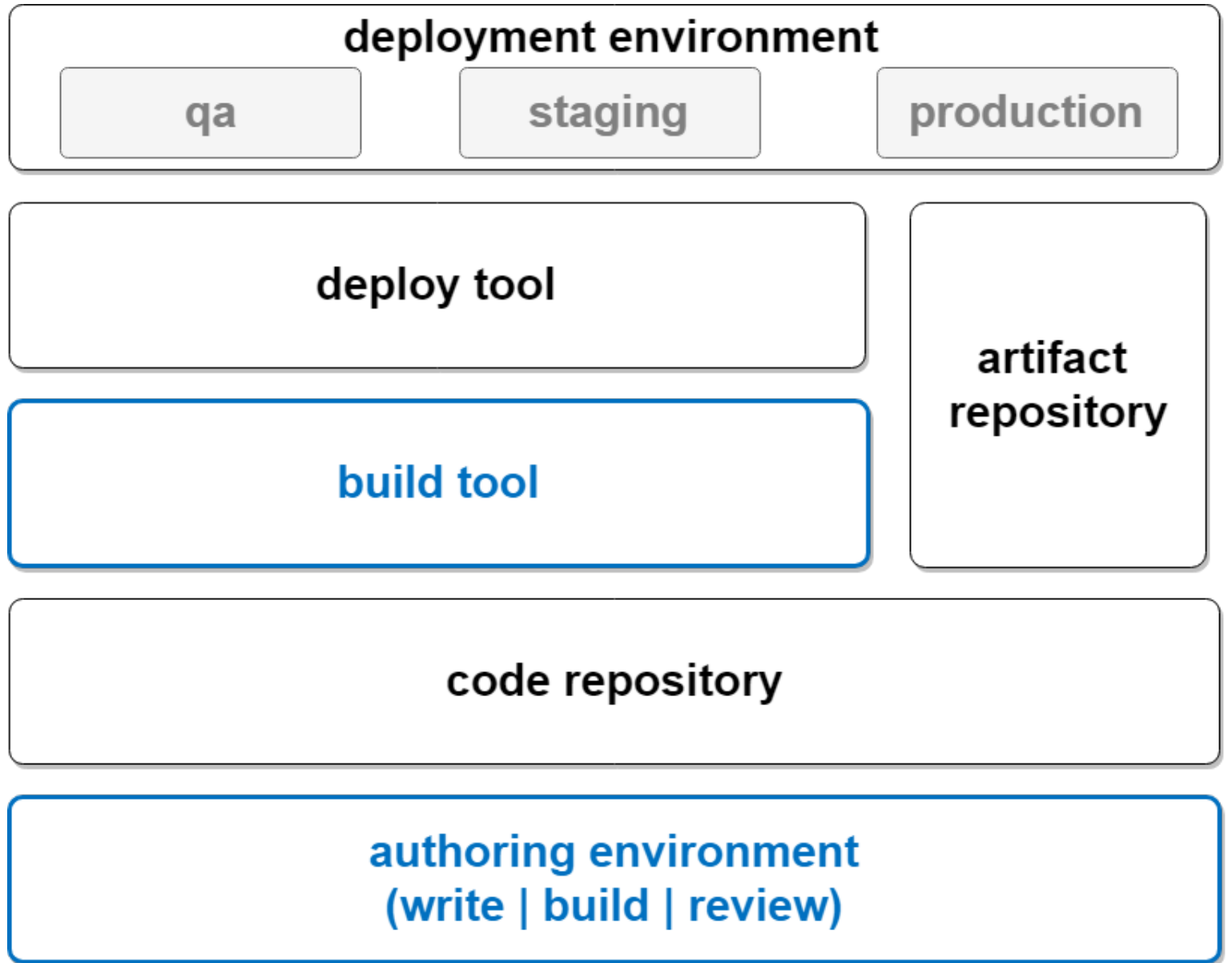
**produce in short cycles to ensure
reliably release (deliver) at any
time**

challenges

- **integrate source (CI)**
- **coordinate docs with SW**
- **docs to fit into CD process**
- **DevOps makes decisions**

docs-as-code

**follow same workflow b/w as
development teams**



static site generator:

- jekyll, sphinx, dita-OT

version control:

- git, svn, tfs

plain text markup:

- markdown, asciidoc,
- reStructuredText, dita

dtP

- **desktop ≠ stack**
- **individual ≠ integrated**
- **manual ≠ automated**
- **product ≠ feature**

dtp

dac

pros

control over style
single sourcing/ reuse
easy to maintain
audience focus
well structured

easy to learn
more contributors
aligned with workf bws

cons

additional tools
specialist writers
slow to update
workf bw not aligned

limited styling
limited reuse
poorly structured
feature centric

*“Goal of documentation is provide
the **information required** to do
successfully complete the task.”*

info needs to be:

available- published on time

findable- well structured

yes we can

eat your cake and have it

dtp sophistication

dac workf bws

source files

RH

Flare

FM

xml

xhtml

xml

output

pdf
html

pdf
html

pdf
html

publish

web
compiled

web
compiled

web
compiled

repository

yes

yes

yes

automation

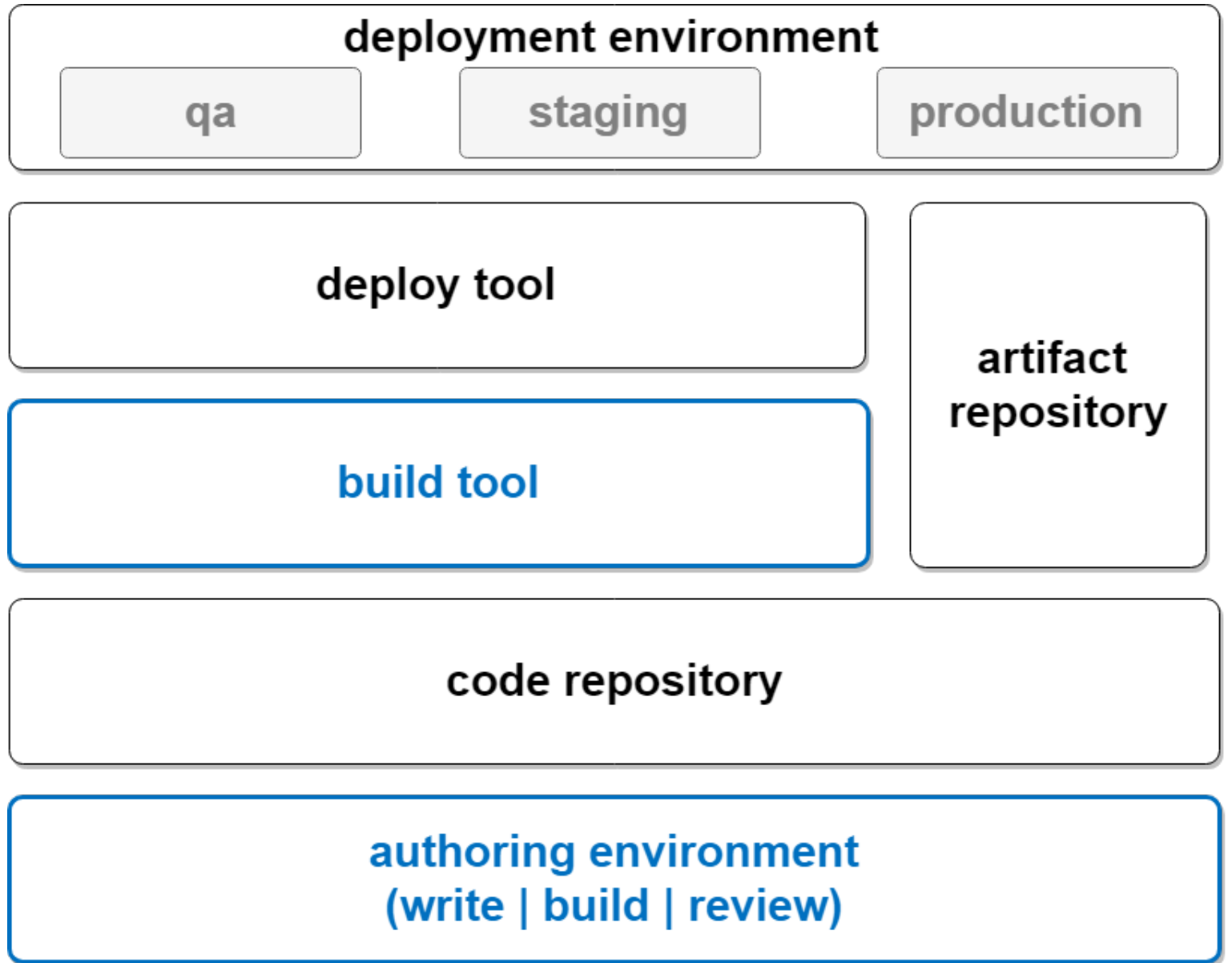
yes

yes

yes

docs-as-code

**follow same workflow b/w as
development teams**



compilers:

- RH, FM
- Flare

version control:

- git, svn, tfs

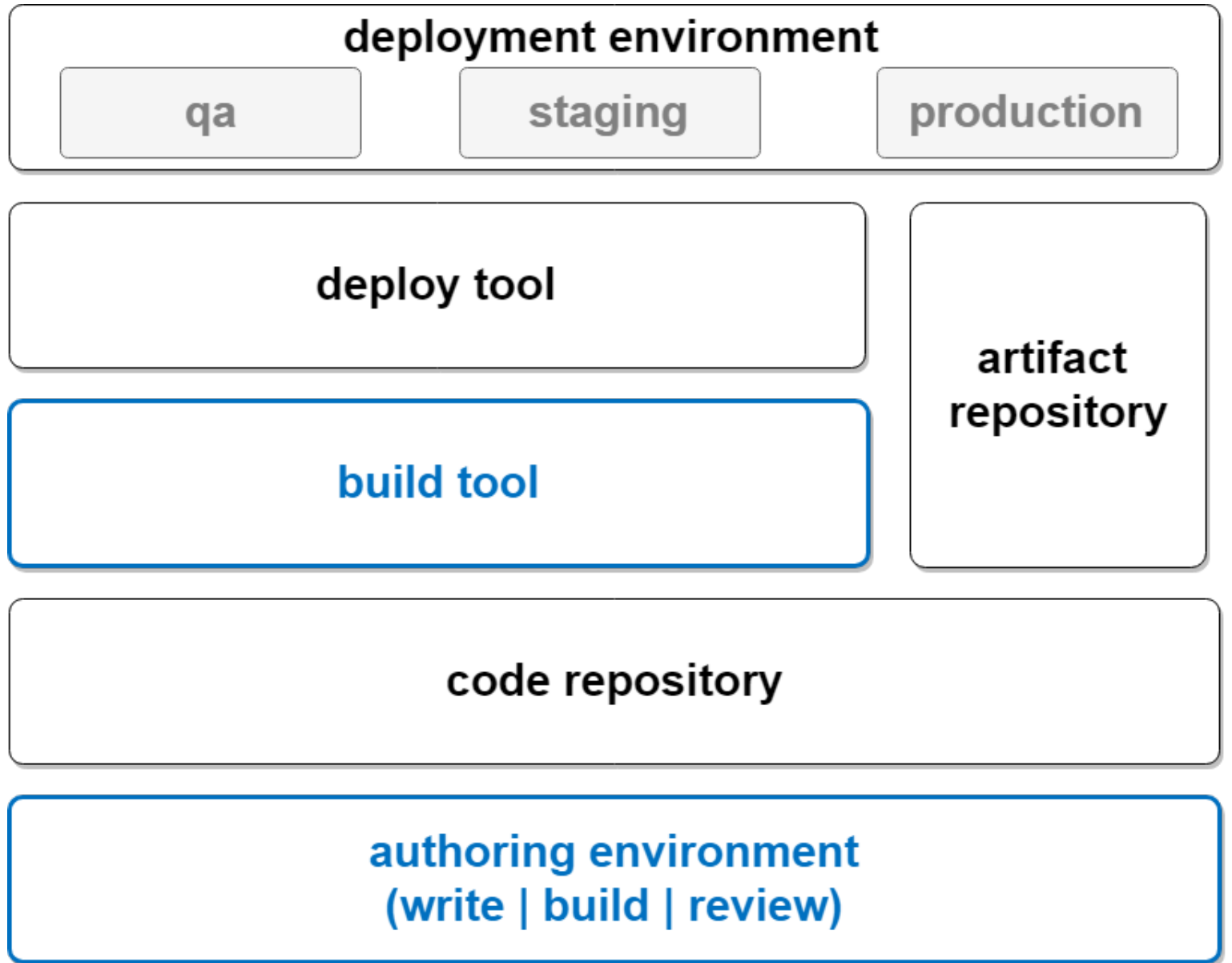
plain text markup:

- xml, xHTML,
- DITA/xml

demo

CI / CD

repo allows **CI** workf bw
CD tools to build & deploy

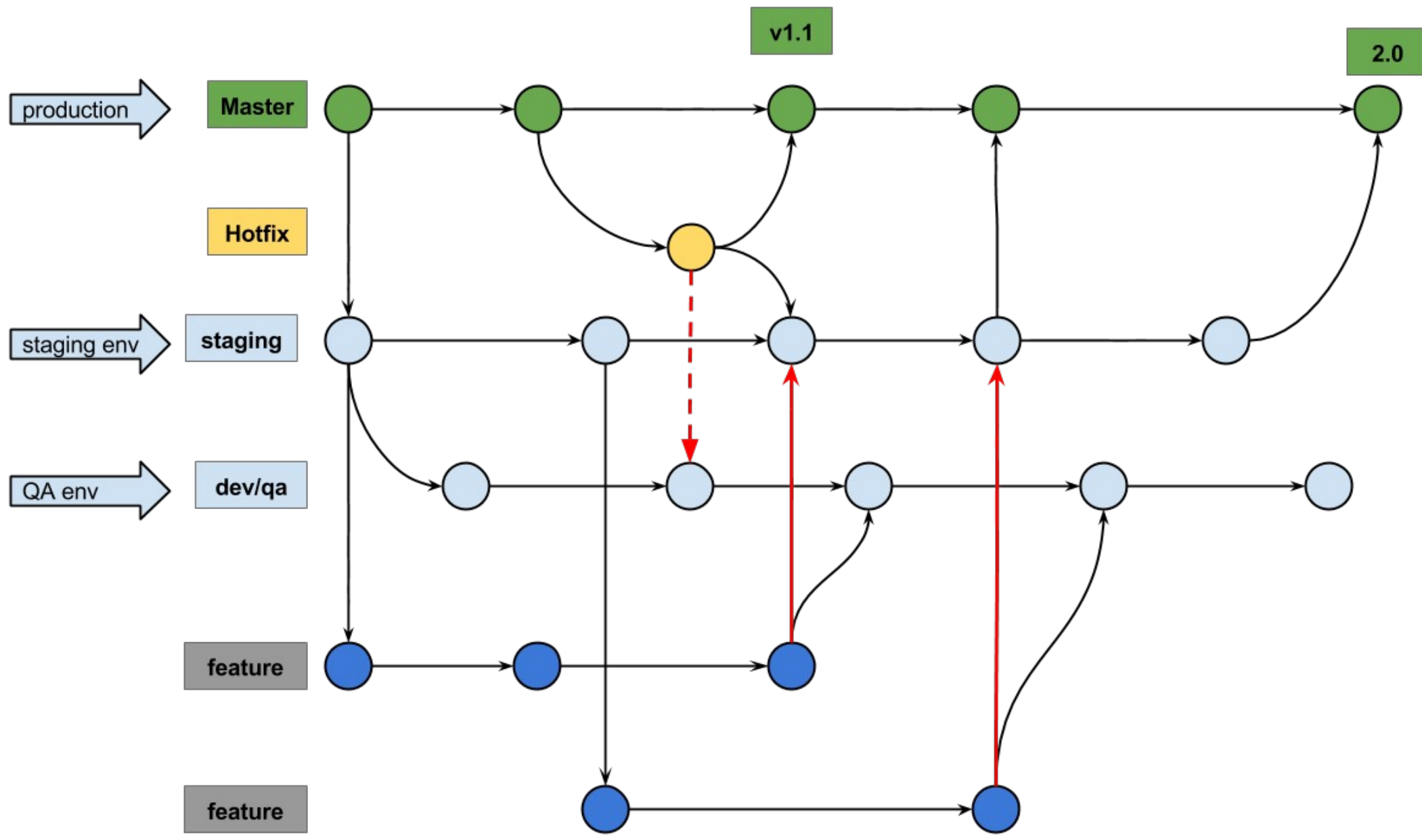


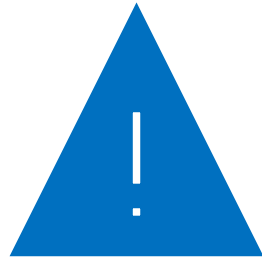
gitlab
- runners

Flare & gitlab
- build server

gitlab
- git repo

Flare
- madcap xHTML





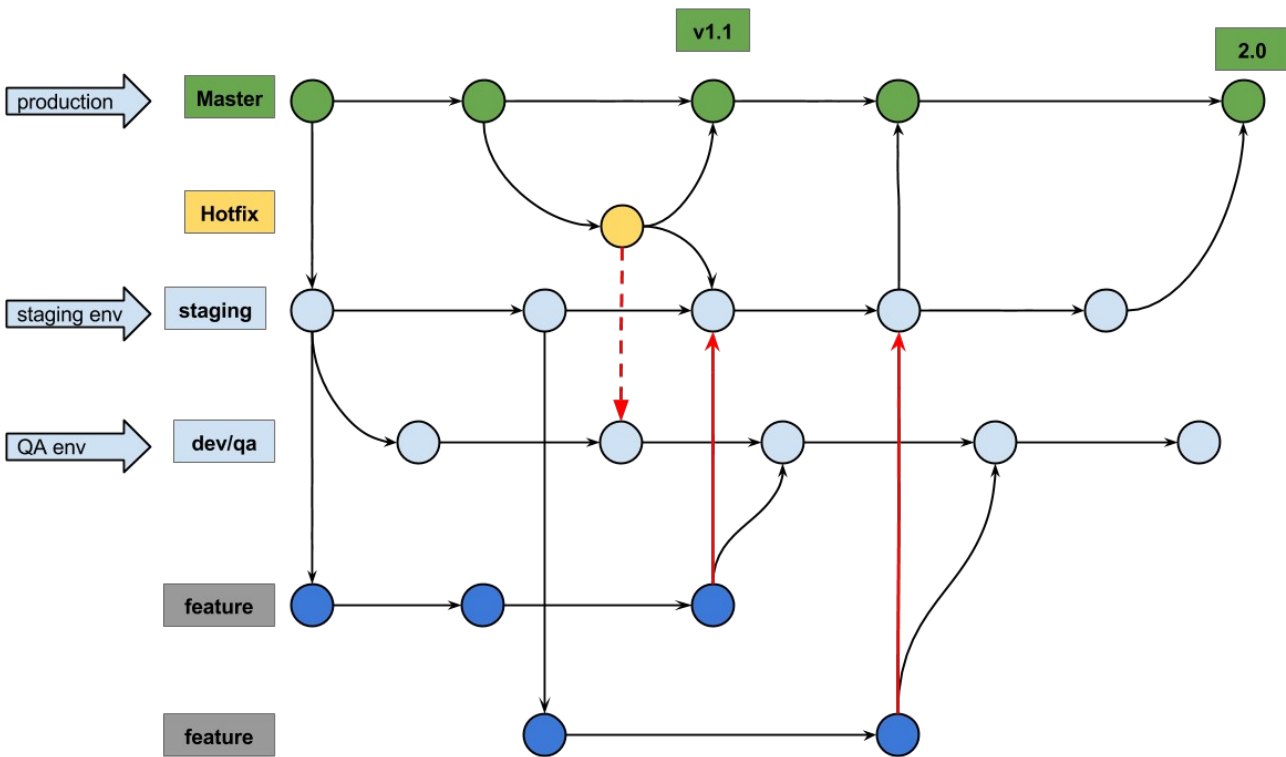
① **ascii source** – **not binary**

① **need framework & structure**
tech comms value-add

should you do this?

- **collaboration > flexibility**
- **simplify template updates**
- **test small changes**
- **incorporate other content**
- **release every 10s**

CI



CD

